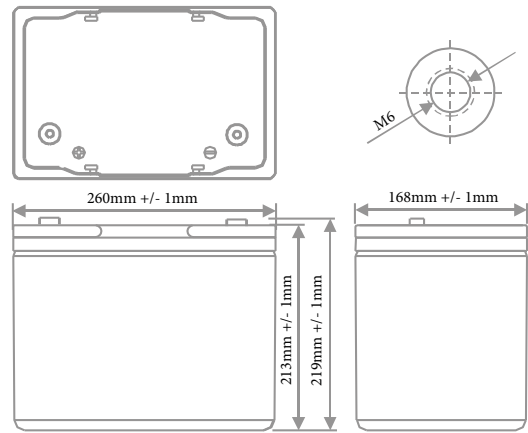


A-LFP-12-80 Professional Art.Nr. 8000950 LiFePO4 12V 80Ah 1024Wh



Dimension (with case)

Length	260mm
Width	168mm
Height	213mm
Weight	8,40kg



Electrical Specification

Nominal Voltage	12V (12,8V)
Nominal Capacity	80Ah (c20)
Energy	1024Wh
Life Cycle	≤2500 times @ 25°C / 80% DOD
Self discharge	<3% / month

Charge Specifications

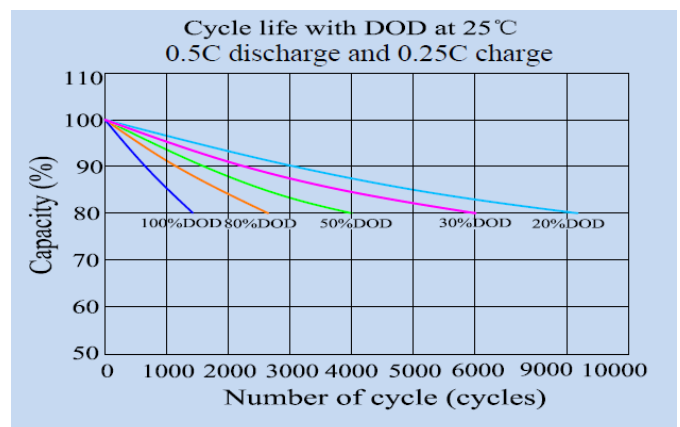
Recommended charge current	40A
Max. charge current	80A
Recommended charge voltage	14,6V
Max. Charge Voltage	14,8V
Charge mode	CC/CV
Overcharge Protection Voltage	14,9V - 15,2V
Charge temperature	0°C ~ +50°C

Discharge Specifications

Max. continuous discharge current	80A
Puls current (≤5s)	160A
BMS discharge cut-off	9V
Short-circuit protection (<10ms)	approx. 140A
Discharge temperature	-20°C ~ +60°C

Mechanical Specifications

Case material	ABS
Terminal type	M6 Bolt
Enclosure protection	IP65
Cell type	cylindrical



Always refer to the latest edition of the Technical Manual for a safe usage. This and more useful downloads, such as product catalogs, material safety data sheet (MSDS), etc. can be found on our website www.accu-24.de



© 2022 ACCU-24 Batterien & Systeme GmbH
All rights reserved. All trademarks are the property of their respective owners.
All data subject to change without notice.