

# Marathon M FT / M12V100FT

## INDUSTRIAL BATTERIES / NETWORK POWER

Designed for durability in telecommunications and electric utility applications, the Marathon M-FT series provides high performance and reliability in medium and long duration discharge applications. The location of the terminals on the front (vs. the top) of the battery greatly facilitates the installation and maintenance of the product when placed in a cabinet enclosure or on a standard relay rack tray.



**Part Number: NAMF120100HM0FB**

### APPLICATIONS



### SPECIFICATIONS

- Maintenance-free (no topping up) during the whole service life
- High-Compression Absorbent Glass Mat (AGM) technology
- Design life: 15 years (until 80% C<sub>10</sub> at 20°C and 1.80Vpc)
- EUROBAT 2015 Classification »>12 years – Very Long Life«
- Available as standard or flame retardant version (UL 94-V0)
- Grid plates with superior lead low calcium high tin alloy for excellent corrosion resistance
- Very low gassing due to internal gas recombination (99 % efficiency)
- Low self discharge rate, enabling extended storage capability
- Designed in accordance with IEC 60896-21/-22
- Approval: UL (Underwriters Laboratories)
- Trouble-free transportation of operational blocks and cells. no restriction for most rail, road, sea and air transportation (IATA, DGR clause A67)
- Manufactured in Europe in our ISO 9001 certified production plants
- Central degassing



Design life  
15 years



Block battery



Grid plate



Recyclable



Valve  
regulated  
lead-acid  
batteries



Maintenance  
free (no  
topping up)

### RECYCLE WITH EXIDE.



Exide Technologies takes pride in its commitment to a better environment. An integrated approach to manufacturing, distributing and recycling of lead-acid batteries has been developed to ensure a safe and responsible life cycle for all of its products.



For more information please  
[contact your local dealer](#)

**EXIDE Distributionscenter Frankfurt a.M.**

**ACCU-24 Batterien & Systeme GmbH**

Untergasse 5

63688 Gedern

Tel.: +49 (0) 06045 952520

Fax: +49 (0) 06045 952966

[www.ACCU-24.de](http://www.ACCU-24.de)

[info@accu-24.de](mailto:info@accu-24.de)

**MARATHON**

**GNB**  
INDUSTRIAL POWER

A Division of Exide Technologies

## TECHNICAL CHARACTERISTICS AND DATA

<b>Nominal voltage</b>	12 V
<b>Float charge</b>	2,29 V/C @ 20 °C
<b>Capacity</b>	CP 10min 1,6V/C 20°C 3000W/Bloc CC 10h 1,8V/C 20°C 100Ah
<b>Short circuit current</b>	2445 A (IEC60896-21/22)
<b>Internal resistance</b>	5 mΩ (IEC60896-21/22)

<b>Terminal</b>	F-M6-90°
<b>Terminal Torque</b>	11 Nm
<b>Container</b>	UL 94-HB (Polypropylene)
<b>Temperature range</b>	-40°C to 55°C
<b>Dimensions (l x b/w x h)</b>	105 x 395 x 287 mm
<b>Weight</b>	33 kg
<b>Origin</b>	Castanheira, Portugal

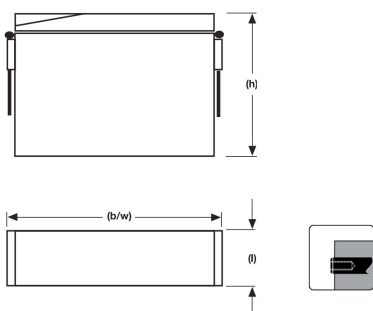
## CONSTANT POWER DISCHARGE

W @ 20 °C	3m	5m	10m	15m	30m	1h	90m	2h	150m	3h	4h	5h	6h	7h	8h	9h	10h	12h	24h
1,940 V/C	1450	1450	1450	1450	1035	670	469	385	327	270	209	172	146	127	115	104	93,5	79,5	41,2
1,920 V/C	1500	1500	1500	1500	1100	700	490	408	346	285	220	180	153	133	120	108	98	83,3	43,1
1,900 V/C	1670	1670	1670	1670	1186	740	518	430	365	300	231	189	161	140	126	113	103	87,5	45,3
1,870 V/C	1790	1790	1790	1790	1251	770	539	447	378	310	240	195	166	144	130	117	106	90,4	46,8
1,850 V/C	3100	2800	2220	1880	1295	790	553	455	387	320	246	201	171	149	134	120	109	92,6	47,9
1,830 V/C	3300	2980	2350	1960	1329	800	560	465	396	328	253	207	176	153	137	123	112	95,2	49,3
1,800 V/C	3622	3225	2459	2011	1355	815	570	473	404	334	258	210	179	155	140	126	114	96,9	50,2
1,780 V/C	3778	3356	2569	2100	1380	825	578	479	408	338	261	212	180	157	142	128	116	98,6	51,1
1,750 V/C	3948	3498	2689	2153	1400	835	585	485	414	342	264	215	183	159	144	130	117	99,5	51,5
1,730 V/C	4154	3662	2770	2219	1425	845	591	488	417	345	267	218	185	161	145	131	119	101	52,1
1,700 V/C	4372	3830	2830	2250	1434	855	599	495	423	350	271	221	188	163	146	132	120	102	52,6
1,670 V/C	4646	4012	2890	2280	1444	860	602	499	427	355	275	224	190	166	148	133	120	102	53
1,650 V/C	4925	4154	2950	2310	1449	865	606	502	431	359	278	227	193	168	150	135	122	104	53,7
1,600 V/C	5200	4300	3000	2345	1452	870	609	505	435	364	282	230	195	170	151	136	123	104	54

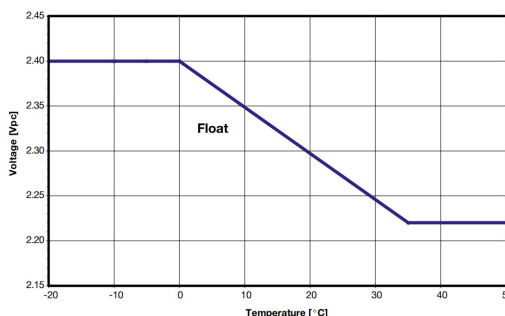
## CONSTANT CURRENT DISCHARGE

A @ 20 °C	3m	5m	10m	15m	30m	1h	90m	2h	150m	3h	4h	5h	6h	7h	8h	9h	10h	12h	24h
1,940 V/C	115	115	115	115	80	50	35	31	26,8	22,5	17,8	14,8	12,6	10,9	9,8	8,8	8	6,8	3,6
1,920 V/C	130	130	130	130	87	53	37,1	32,5	28	23,5	18,8	15,6	13,3	11,5	10,4	9,4	8,5	7,2	3,8
1,900 V/C	150	150	150	150	99	58,5	41	35	30	25	19,8	16,5	14	12,2	10,9	9,8	8,9	7,6	4
1,870 V/C	161	161	161	161	106	62	43,4	37	31,7	26,3	20,8	17,4	14,8	12,9	11,5	10,4	9,4	8	4,2
1,850 V/C	265	245	200	168	110	64	44,8	38,3	32,7	27,1	21,5	17,9	15,2	13,2	11,8	10,6	9,6	8,2	4,3
1,830 V/C	300	270	213	177	115	66	46,2	39,5	33,6	27,7	21,9	18,1	15,4	13,4	12	10,8	9,8	8,3	4,4
1,800 V/C	338	300	230	188	119	67,5	47,3	40,3	34,3	28,2	22,3	18,4	15,6	13,6	12,2	11	10	8,5	4,5
1,780 V/C	370	320	243	195	122	69	48,3	40,9	34,8	28,7	22,6	18,7	15,9	13,8	12,4	11,2	10,2	8,7	4,6
1,750 V/C	385	332	250	200	124	70	49	41,3	35,2	29	22,8	18,9	16,1	14	12,5	11,3	10,3	8,8	4,6
1,730 V/C	400	346	258	204	126	71	49,7	41,9	35,6	29,3	23,1	19,1	16,2	14,1	12,6	11,3	10,4	8,8	4,7
1,700 V/C	420	360	265	208	128	72	50,4	42,4	36,1	29,8	23,3	19,2	16,3	14,2	12,8	11,5	10,5	8,9	4,7
1,670 V/C	440	375	271	211	130	73	51,1	42,8	36,5	30,1	23,7	19,4	16,5	14,3	12,9	11,6	10,6	9	4,8
1,650 V/C	470	400	280	215	131	74	51,8	43,1	36,7	30,3	23,9	19,6	16,7	14,5	13	11,7	10,7	9,1	4,8
1,600 V/C	502	430	295	219	132	75	52,5	43,5	37	30,5	24	19,7	16,7	14,6	13,1	11,8	10,7	9,1	4,8

## Technical drawing



## Float Voltage vs Temperature



EXIDE Distributionscenter Frankfurt a.M.

ACCU-24 Batterien & Systeme GmbH  
 Untergasse 5  
 63688 Gedern  
 Tel.: +49 (0) 06045 952520  
 Fax: +49 (0) 06045 952966  
 www.ACCU-24.de

MARATHON®

GNB®  
 INDUSTRIAL POWER  
 A Division of Exide Technologies

info@accu-24.de