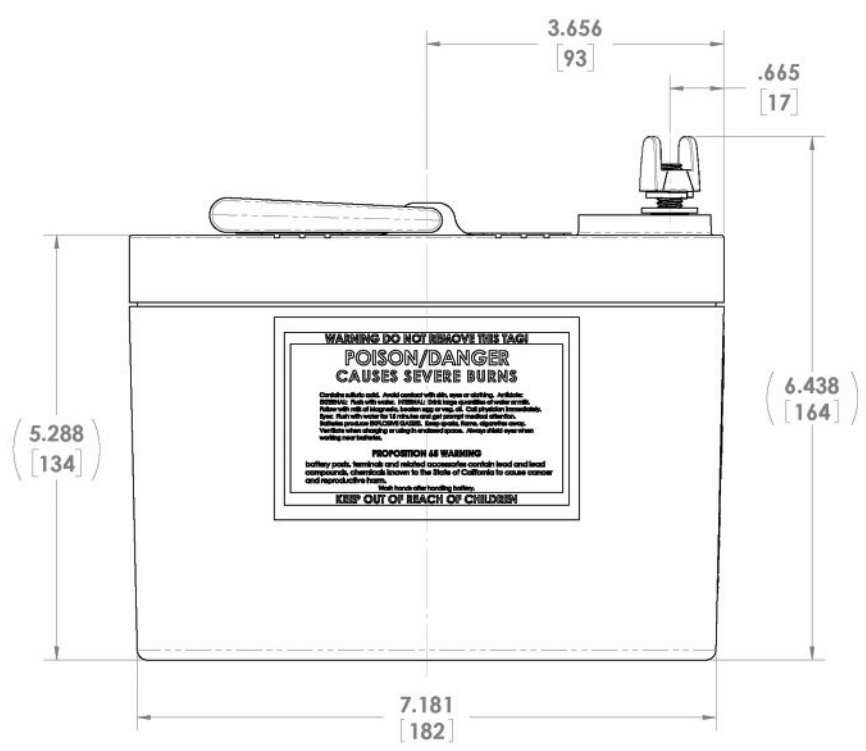
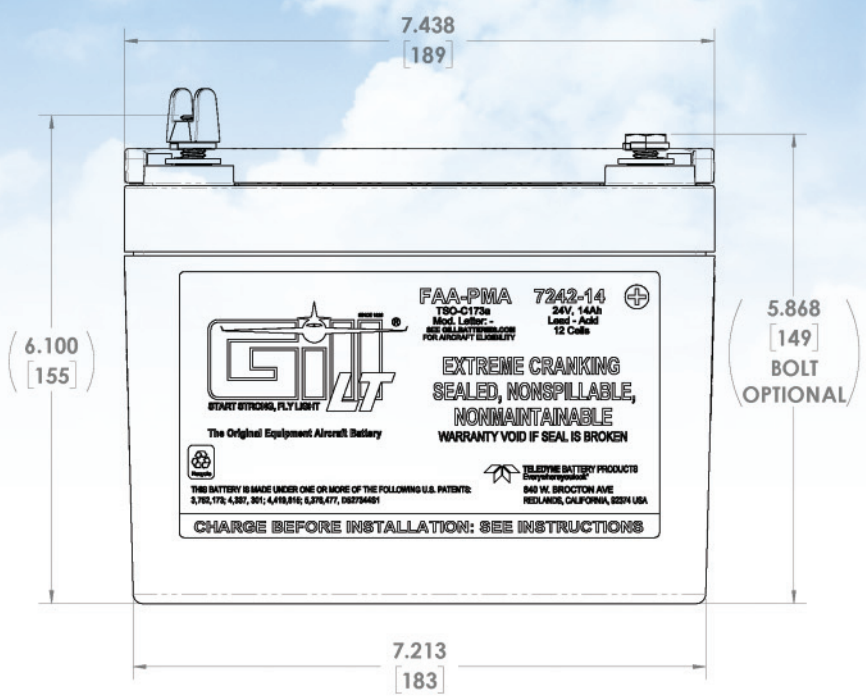


EXTREME CRANKING



7242-14

AVAILABLE NOW AT DISTRIBUTORS



| FAA-PMA APPROVED | |
|----------------------------|---|
| MAKE | MODEL |
| Cessna | F152, FA152, F172N, FR172K, FR182Q, FR182, 152, A152, 172N, R172K, 177B, 177RG, 180K, 182Q, R182, A185F, A188B, T188C, T206H, TU206G, U206G, 207A, T207A, 210M, 210N, 210R, P210N, T210M, T210N, T210R, 337H, FT337HP, P337H, T337H, T337H-SP |
| Beechcraft | C23, C24R, F33C, V35B, A36, G36, D55, D55A, E55, E55A, 58TC, 58TCA, 76, 95-55, 95-A55, 95-B55, 95-B55A |
| Mooney | M20J, M20K |
| Piper | PA-31, PA-31-300, PA-31-325, PA-31-350, PA-36-285, PA-36-300 |
| Robinson Helicopter | R-44, R-44 II |
| Socata | TB9, TB10, TB20, TB21, TB200 |

No STC's or modifications required for any of the models listed

