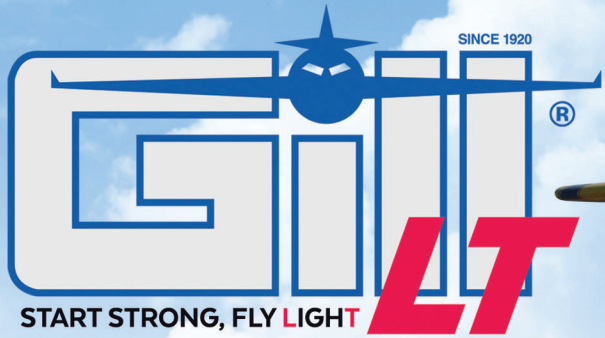


**EXTREME  
CRANKING**

# 7246-20

**Sealed Aircraft Battery, VRLA, LT Technology, 24V, 20Ah**



SPECIFICATIONS			
Model	7246-20		
Nominal Voltage, V	24		
One Hour Capacity, C1, Ah	20		
30 Minute Emergency Rate, C/2, A	28		
Weight, Lb. Maximum	43.90		
Power Performance	23°C (75°F)	-18°C (0°F)	-30°C (-22°F)
I <sub>pp</sub> , A	1250	810	610
I <sub>pr</sub> , A	850	550	410



**NEW**  
**7246-20**  
AVAILABLE NOW,  
AT DISTRIBUTORS

*Upgrade to the Next Generation of Lead-Acid Technology!*

- ✔ TSO Authorized
- ✔ DO-160E Tested
- ✔ Sealed, VRLA, Non-Spillable
- ✔ 18 Month/1800 Hour Capacity Check Inspection
- ✔ 2 Year Warranty
- ✔ FAA-PMA

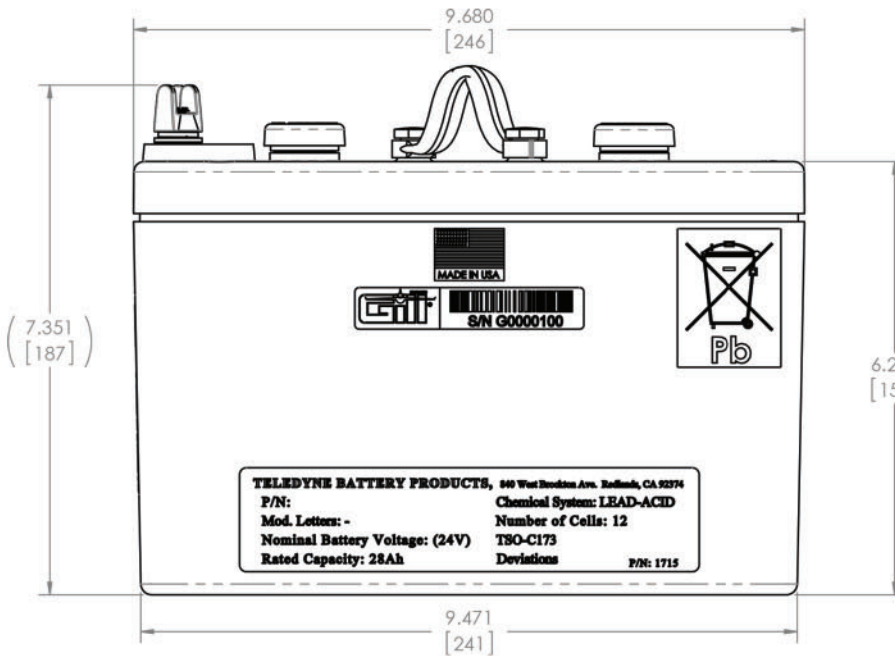
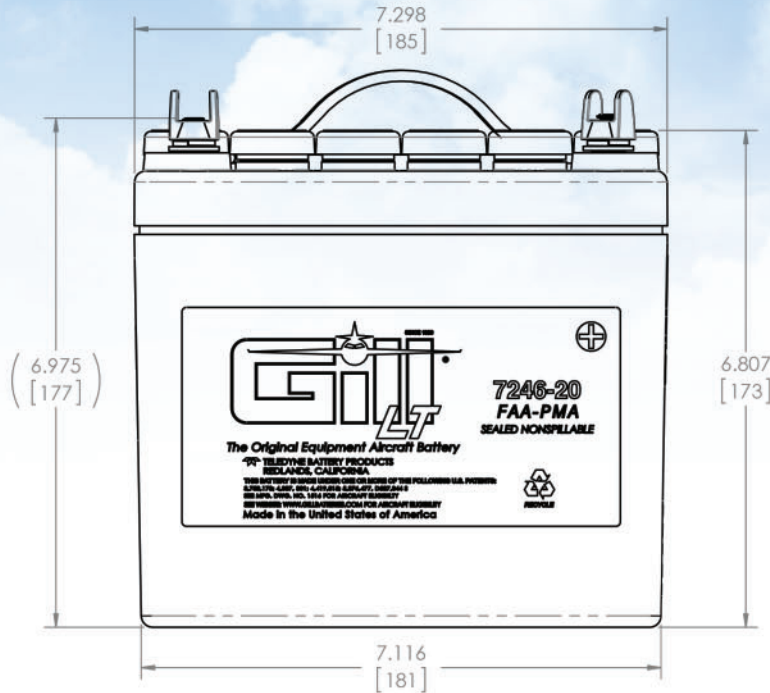


**EXTREME  
CRANKING**



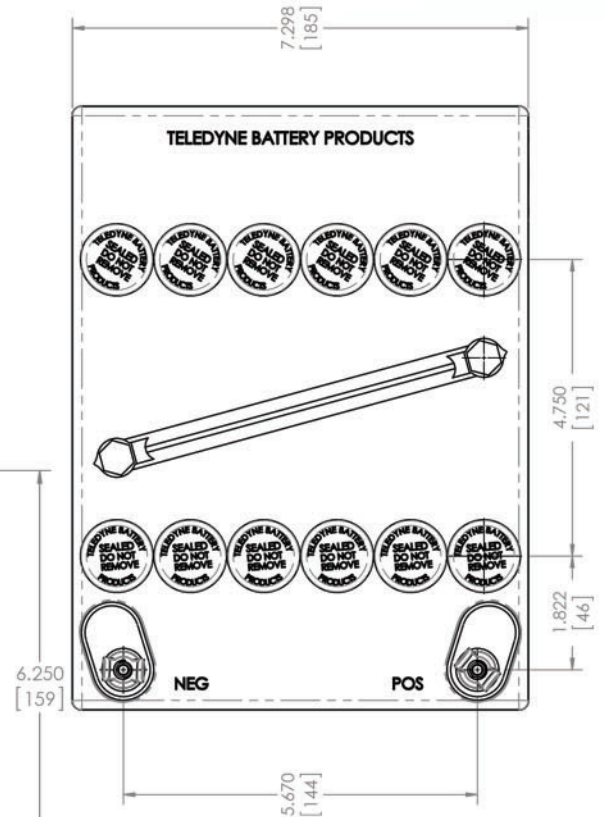
## 7246-20

AVAILABLE NOW AT DISTRIBUTORS



FAA-PMA APPROVED	
MAKE	MODEL
Air Tractor	AT-402, AT-402A, AT-402B, AT-502, AT-502A, AT-502B, AT-602, AT-802, AT-802A
Cessna	310R, T310R, 404
Piper	PA-31, PA-31P, PA-31-300

No STC's or modifications required for any of the models listed



**TELEDYNE BATTERY PRODUCTS**  
Everywhere you look<sup>®</sup>

909.793.3131

GILLBATTERIES.COM

